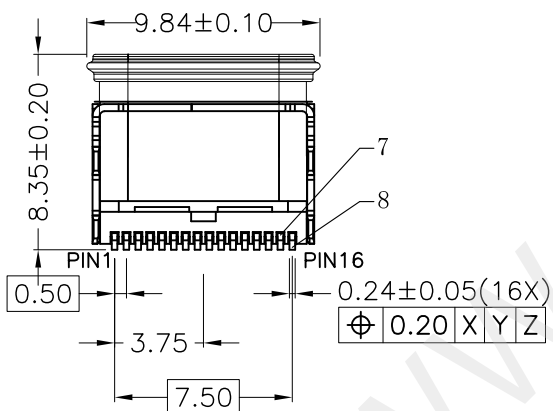


0.10 (16PIN SMT)



⑥	1	下端子	铜合金C7025 TM03	镀金30"
⑦	1	上端子	铜合金C7025 TM03	镀金30"
⑧	1	I/M	PA46	黑色
⑤	1	中隔片	不锈钢SUS301	水洗
④	1	EMI	不锈钢SUS304	电镀镍300"
③	1	内铁壳	不锈钢SUS316	水洗
②	1	密封圈	液态硅胶成型	黑色 NJSILTMNJ-1005-50A/B
①	1	外铁壳	不锈钢304	镀镍500"
⑨	1	胶水	黑色环氧树脂	
序号	数量	零件名称	材料	镀层



深圳市华宇创精密电子有限公司

TOLERANCE:
X.X ±0.30
X.XX ±0.25
X.XXX ±0.15
X' ±2' X.X' ±0.5'

UNIT: mm [inch]

SCALE:1:1 SIZE: A4

DRAWN BY :
陈一鸣

CHECKED BY:
马跃

APPROVED BY:
邱敏

DATE :
2014-02-23

DATE :
2014-02-23

DATE :
2014-02-23

PART NAME:

USB TYPE C 防水母座16P 板上垫高CH4.58mm 带防水胶圈

PART NO.

HYC603-USBC16-458

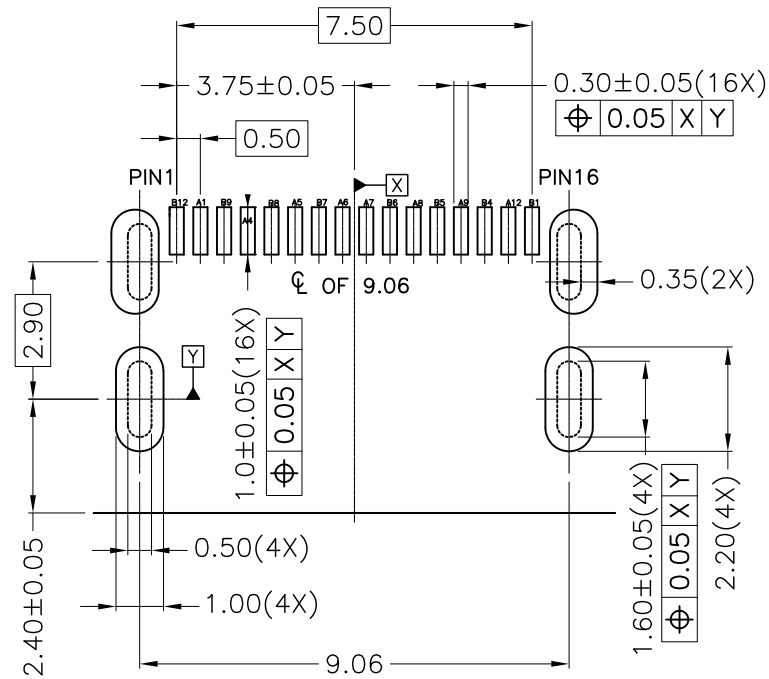
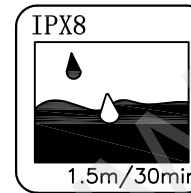
MOLD NO.

DRAW NO:

HYC-2412021019

SHEET NO.

1 OF 1



RECOMMENDED PCB LAYOUT(TOP VIEW)

PCB THICKNESS 1.72±0.05MM

Notes:

1. ELECTRICAL characteristics:

1-1. Dielectric withstance:500V AC/minute.

1-2. Current rating:

Vbus and GND contact:≥1.25A/pin, Paralleled for a total of 5A Min

Other contacts:≥0.25A/pin

1-3. Initial LLCR 40mΩ max, after test Δ10mΩ max:

40mΩ MAX. FOR VBUS, GND AND OTHE CONTACTS,

50mΩ MAX. FINAL AFTER TEST.

1-4. Insulation Resistance:1000MΩ Min

2: Mechanical characteristics

2-1 Insert force:5~20N MAX.

Withdraw force:8~20N, after test:6~20N

2-2 Durability:10000 cycles min

2-3 Laser point:Height<0.05mm, Pulling force>50N

3: Envirmention characteristics

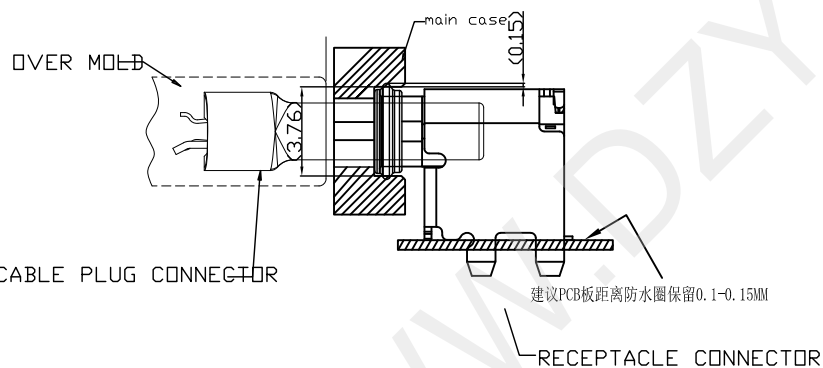
3-1 Opreating temperature:-40~+85℃

3-2 Salty spray:48hours (EIA-364-26B-B)

4. Burr:0.05MM MAX.

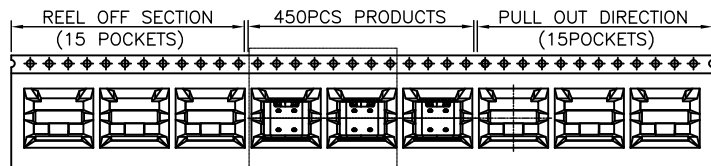
5. Tape and reel packing satisfy EIA-364-481 standard

Pin	Signal	Description	Mating Sequence	Description	Signal	Pin
2	A1	GND	First	Ground return	GND	B12 1
/	A2	TX1+	Second	/	RX1+	B11 /
/	A3	TX1-	Second	/	RX1-	B10 /
4	A4	VBUS	First	Bus Power	VBUS	B9 3
6	A5	CC1	Second	Sideband Use (SBU)	SBU2	B8 5
8	A6	D+	Second	Negative half of the USB 2.0 differential pair-Position 2	D-	B7 7
9	A7	D-	Second	Positive half of the USB 2.0 differential pair-Position 2	D+	B6 10
11	A8	SBU1	Second	Configuration Channel	CC2	B5 12
13	A9	VBUS	First	Bus Power	VBUS	B4 14
/	A10	RX2-	Second	/	TX2-	B3 /
/	A11	RX2+	Second	/	TX2+	B2 /
15	A12	GND	First	Ground return	GND	B1 16

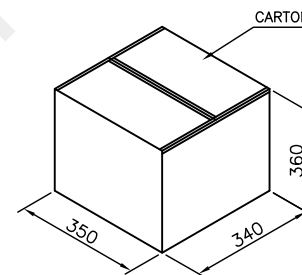
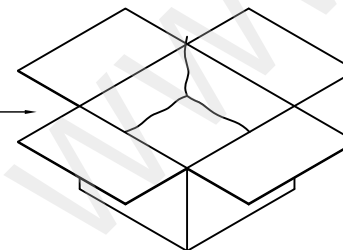
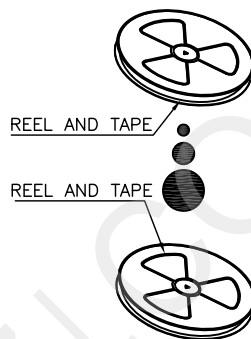
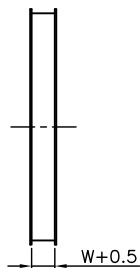
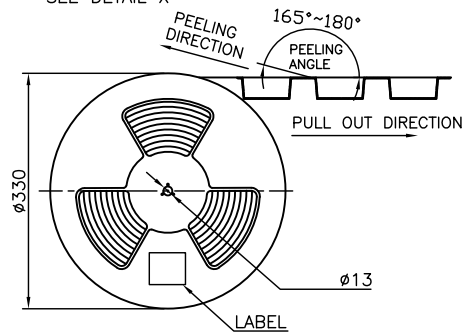


深圳市华宇创精密电子有限公司

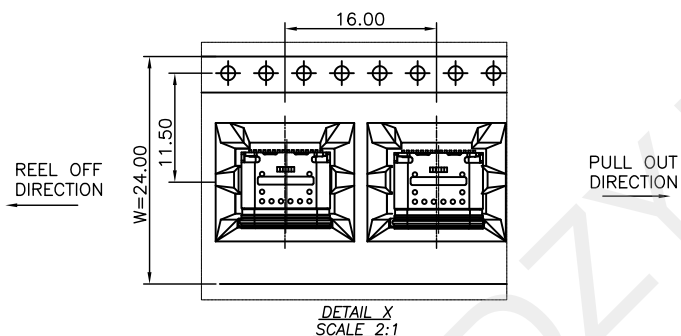
TOLERANCE: X.X ±0.30 X.XX ±0.25 X.XXX ±0.15 X' ±2' X.X' ±0.5'	DRAWN BY : 陈一鸣	DATE : 2014-02-23	PART NAME: USB TYPE C 防水母座16P 板上垫高CH4.58mm 带防水胶圈
	CHECKED BY: 马跃	DATE : 2014-02-23	PART NO. HYC603-USBC16-458
UNIT: mm [inch] SCALE:1:1 SIZE: A4	APPROVED BY: 邱敏	DATE : 2014-02-23	DRAW NO: HYC-2412021019
			SHEET NO. 1 OF 1



SEE DETAIL X



1. 每盘450PCS/ 每箱11盘4950PCS
2. 每盘真空包装并附干燥剂2PCS



	REEL	CARTON
CONNECTOR (PCS)	450	4950



深圳市华宇创精密电子有限公司

TOLERANCE: X.X ±0.30 X.XX ±0.25 X.XXX ±0.15 X.' ±2' X.X' ±0.5'	DRAWN BY : 陈一鸣	DATE : 2014-02-23	PART NAME: 包装图	
	CHECKED BY: 马跃	DATE : 2014-02-23	PART NO.	
UNIT: mm [inch] SCALE:1:1 SIZE: A4	APPROVED BY: 邱敏	DATE : 2014-02-23	DRAW NO:	
			SHEET NO.	1 OF 1